



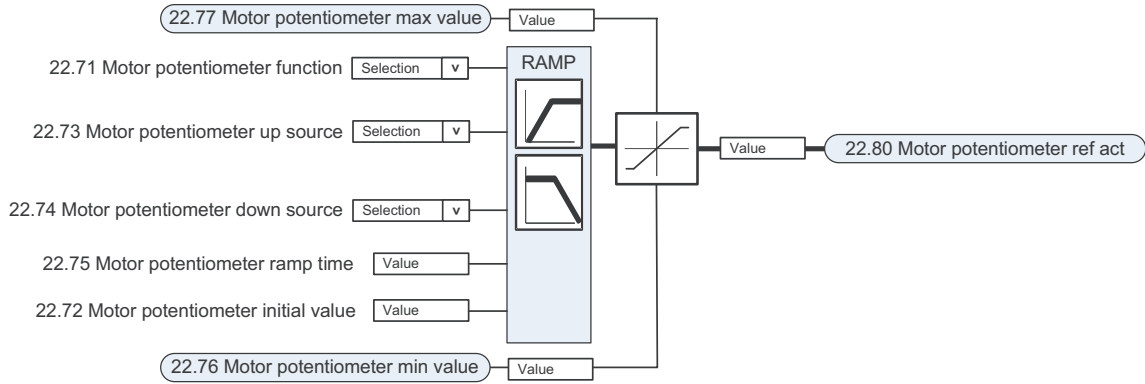
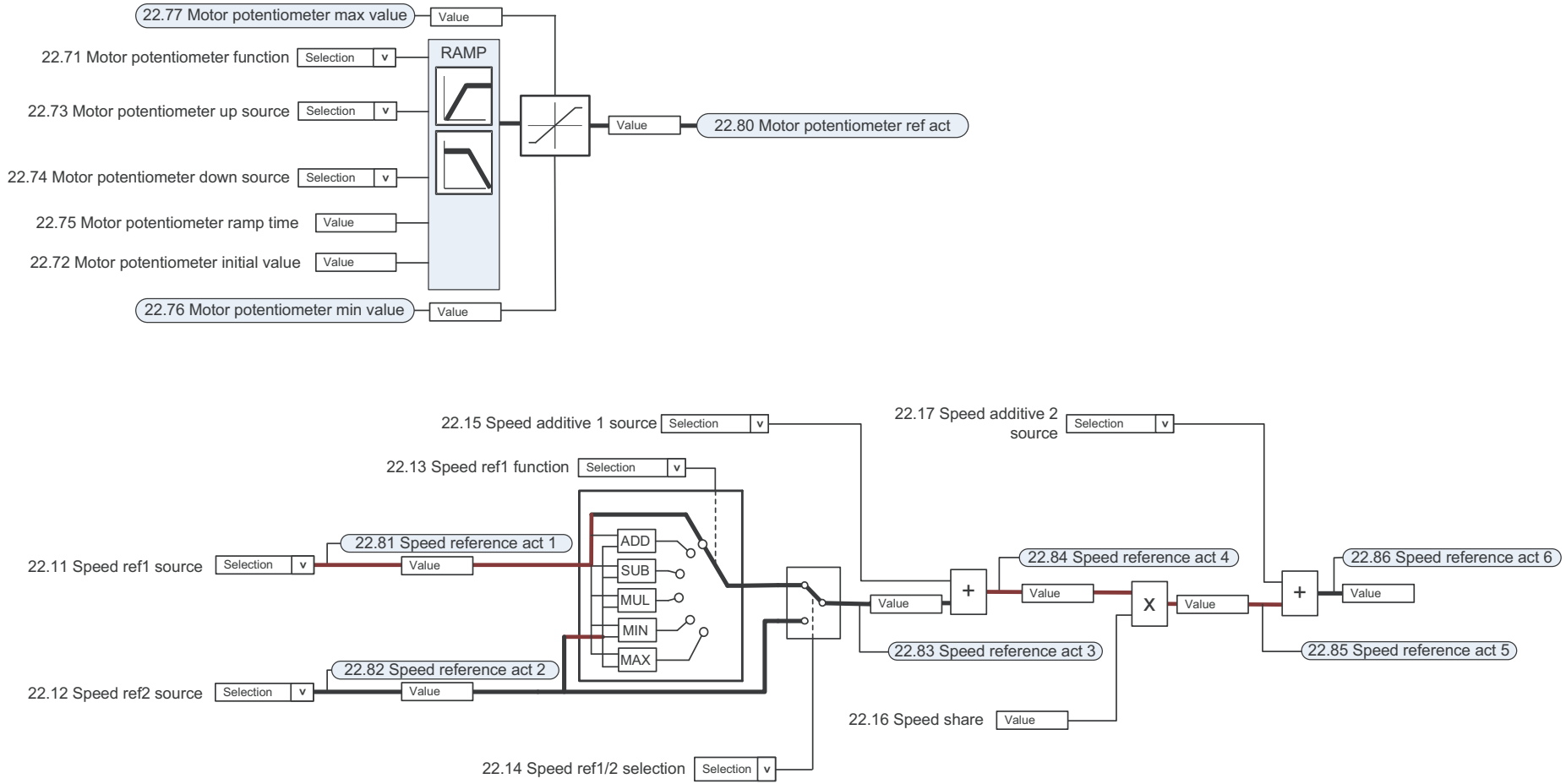
Control chain diagrams

What this chapter contains

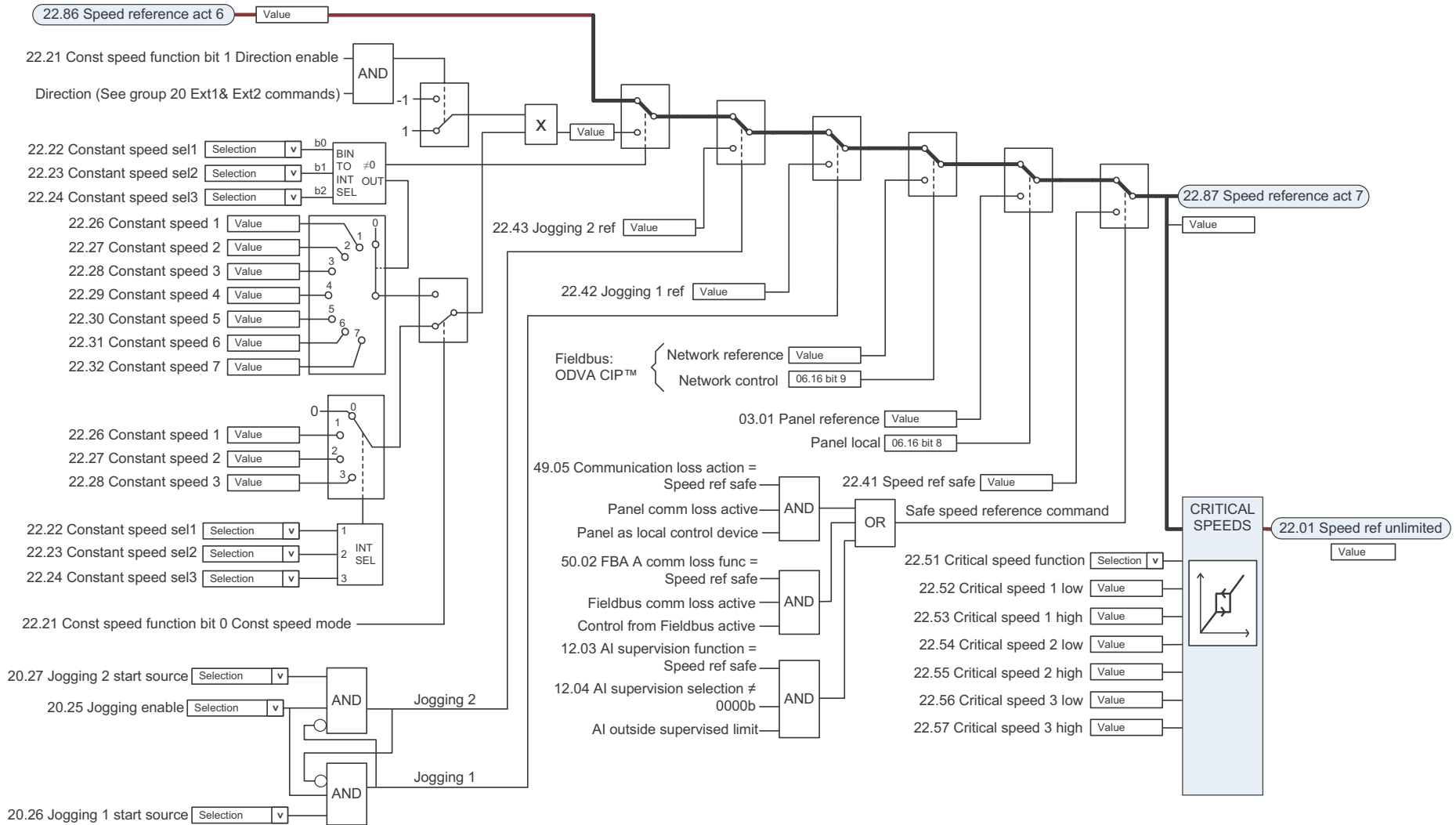
The chapter presents the reference chains of the drive. The control chain diagrams can be used to trace how parameters interact and where parameters have an effect within the drive parameter system.

For a more general diagram, see section [Operating modes of the drive](#) (page 22).

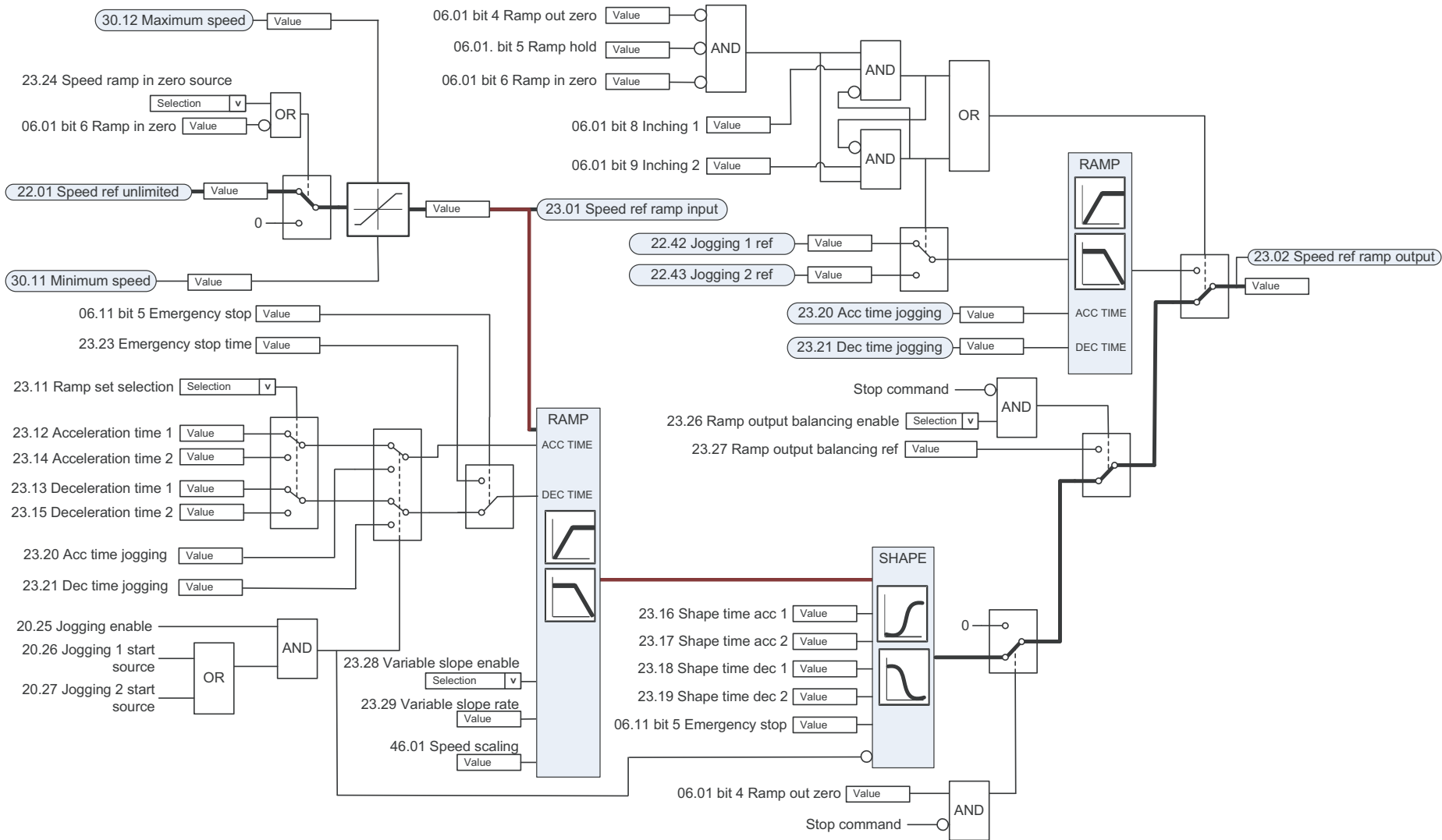
Speed reference source selection I



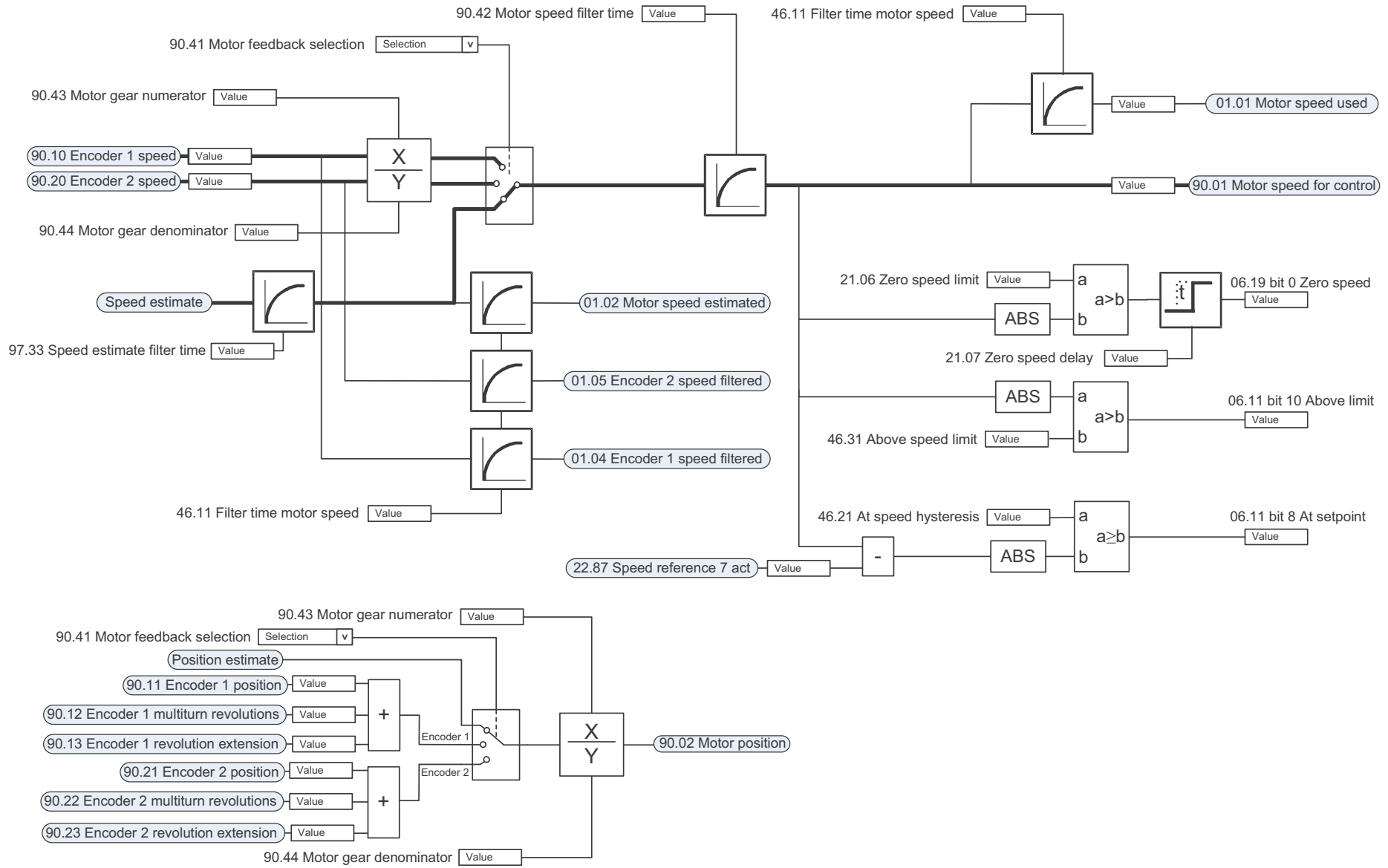
Speed reference source selection II



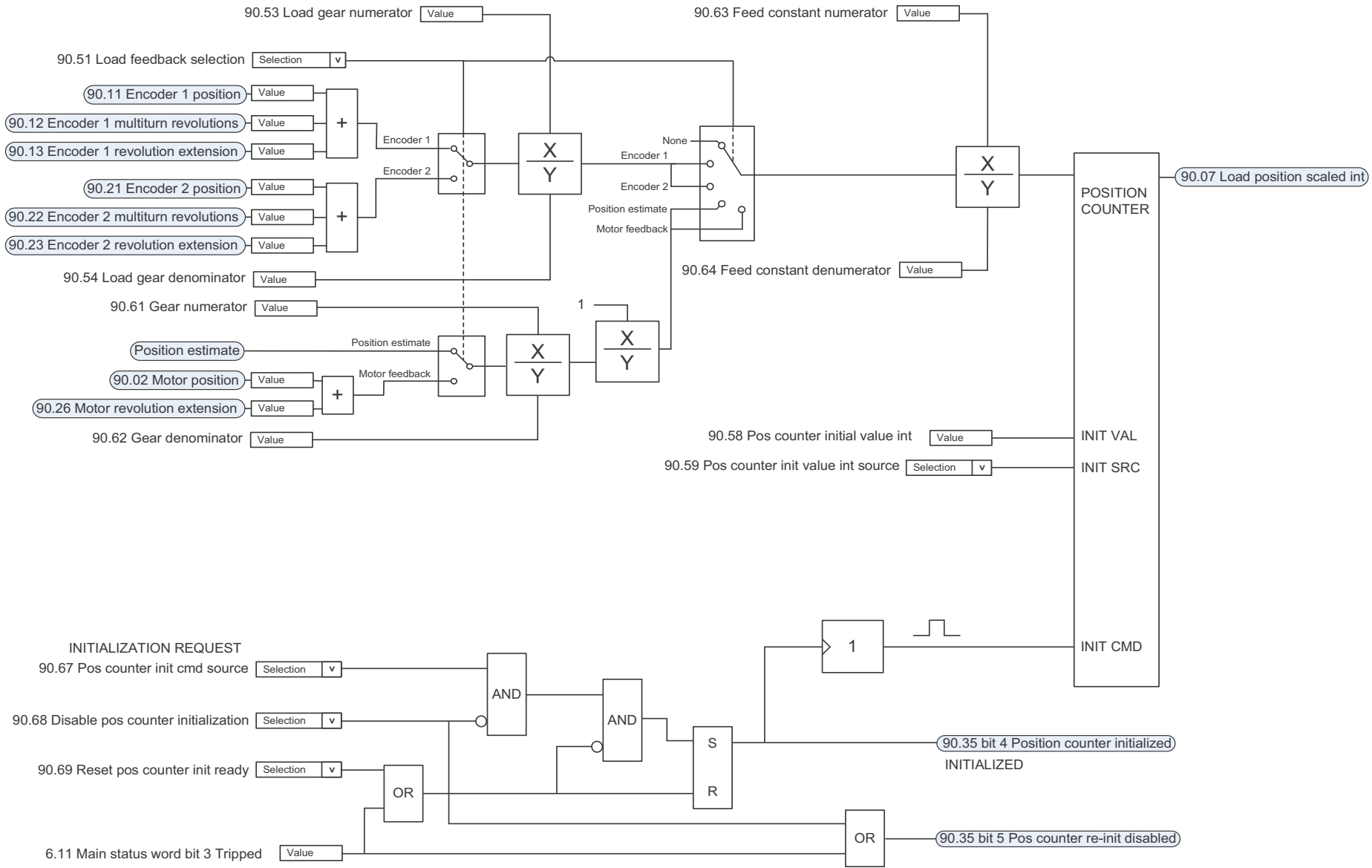
Speed reference ramping and shaping



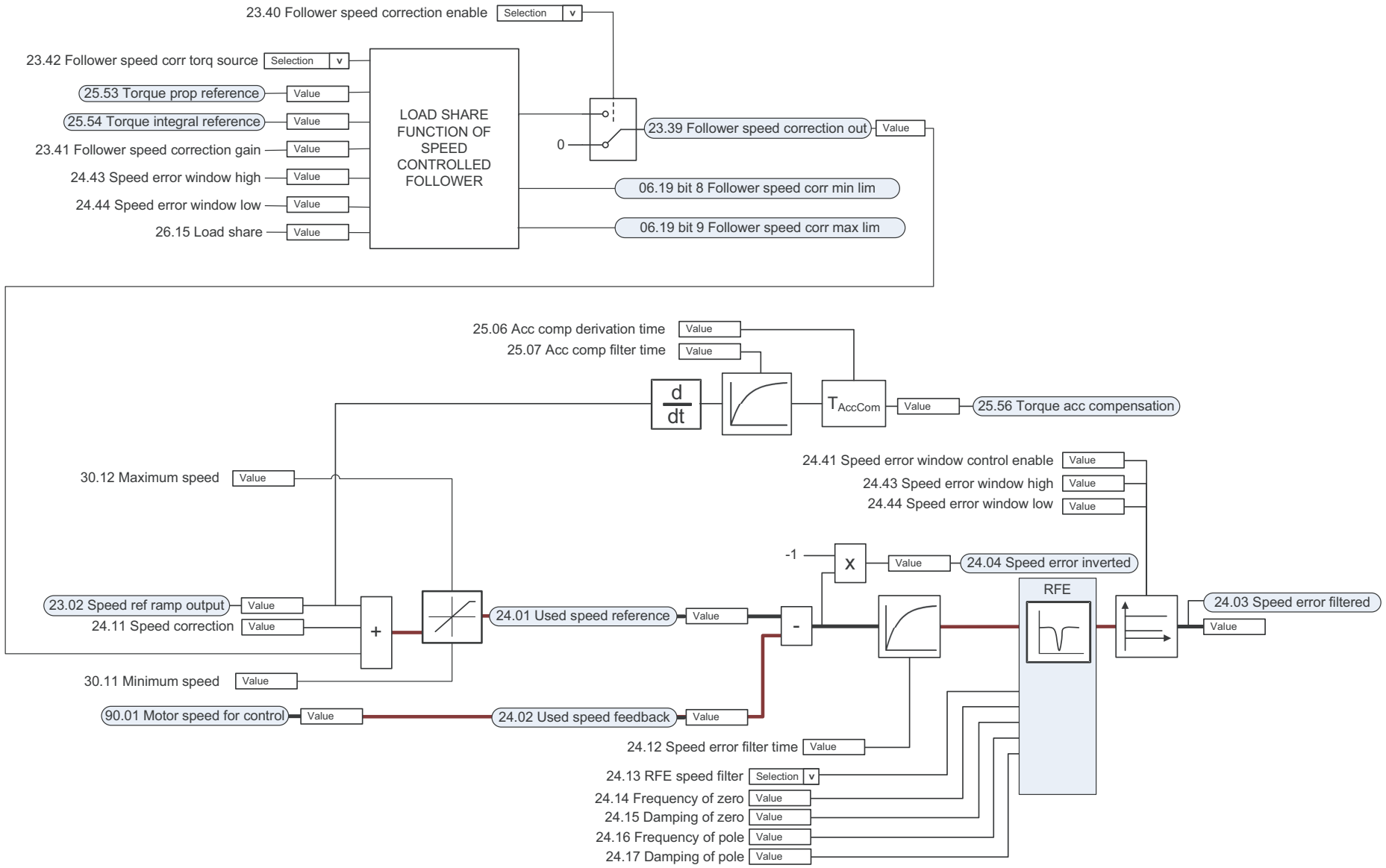
Motor feedback configuration



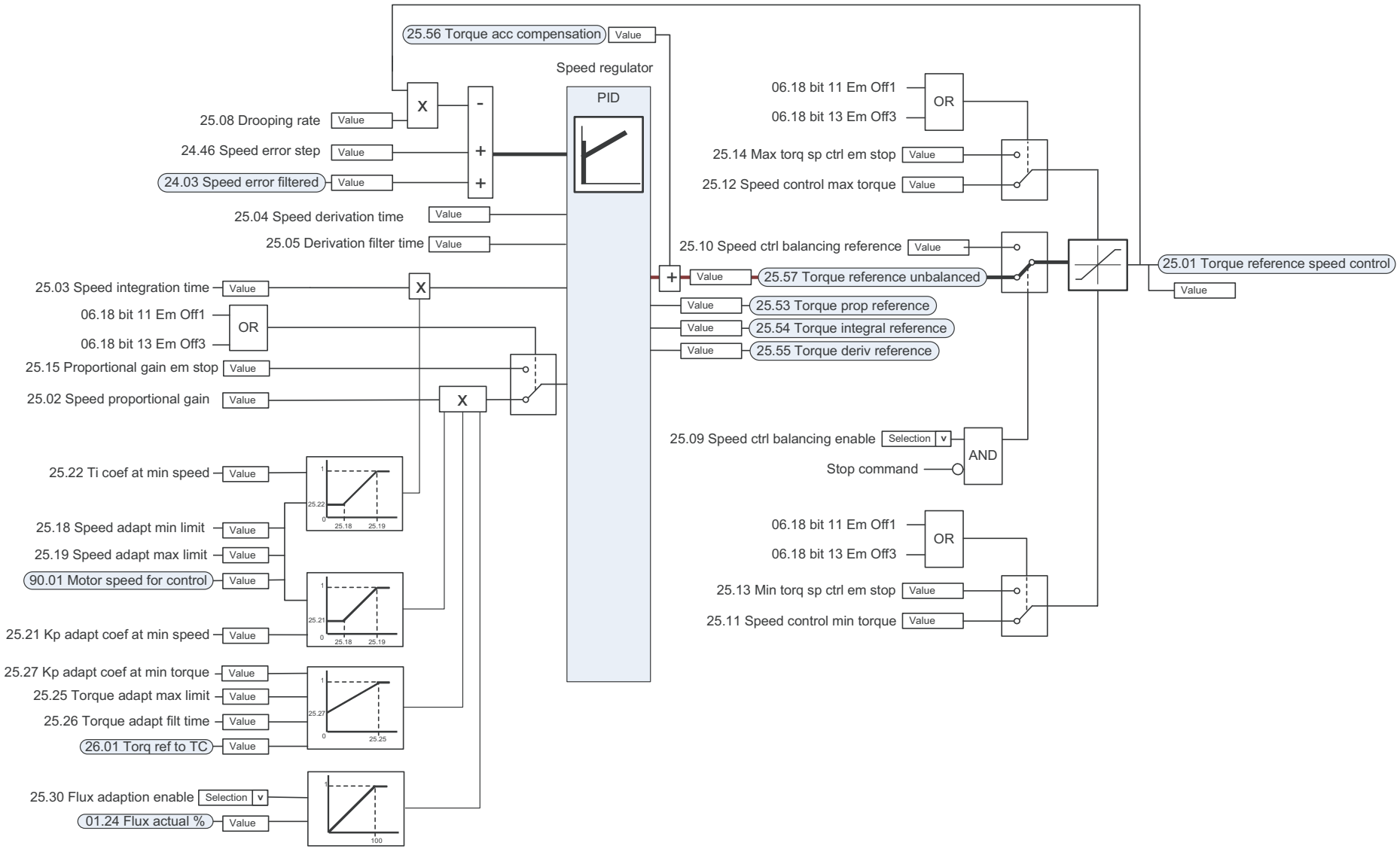
Load feedback and position counter configuration



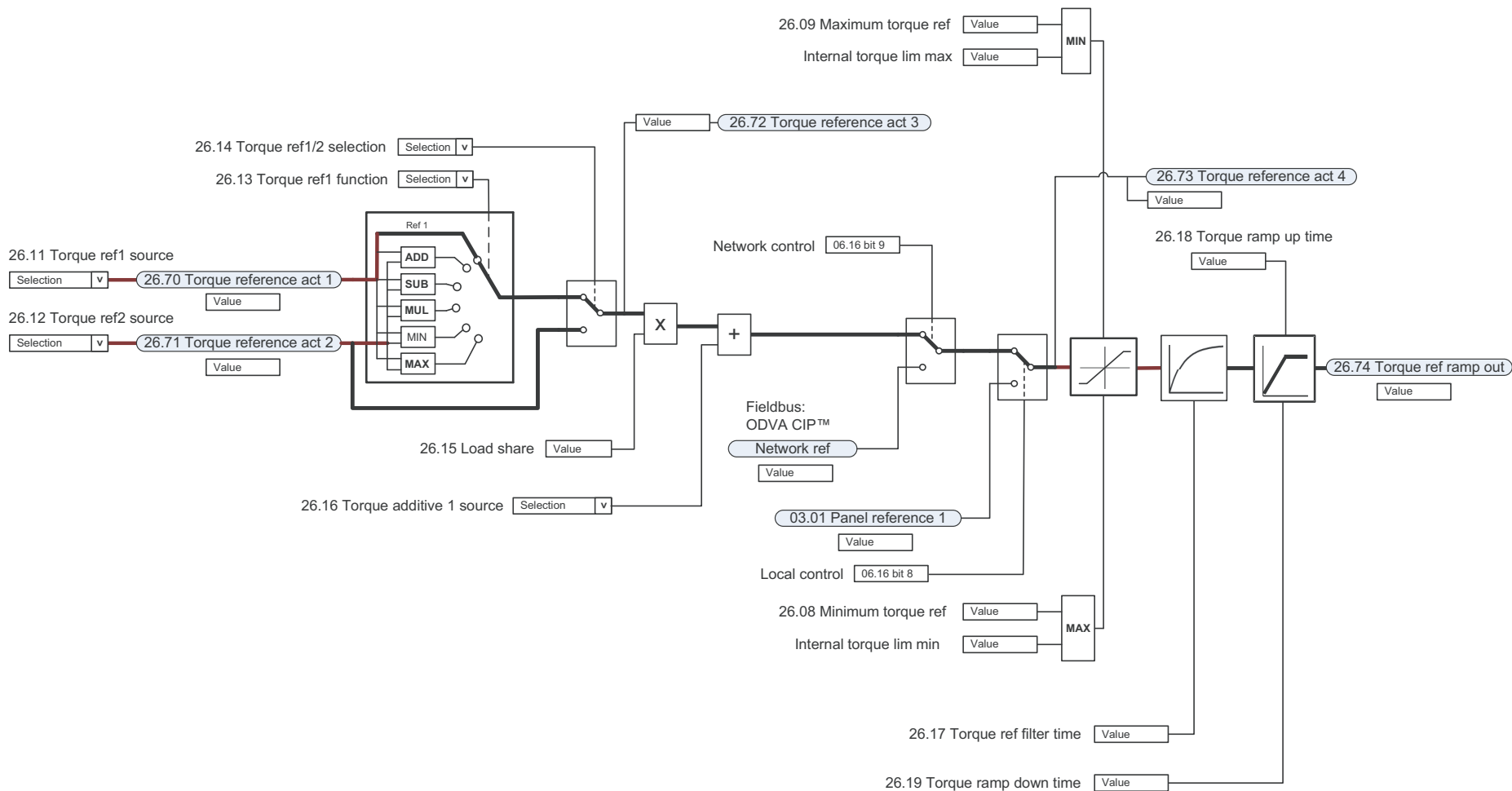
Speed error calculation



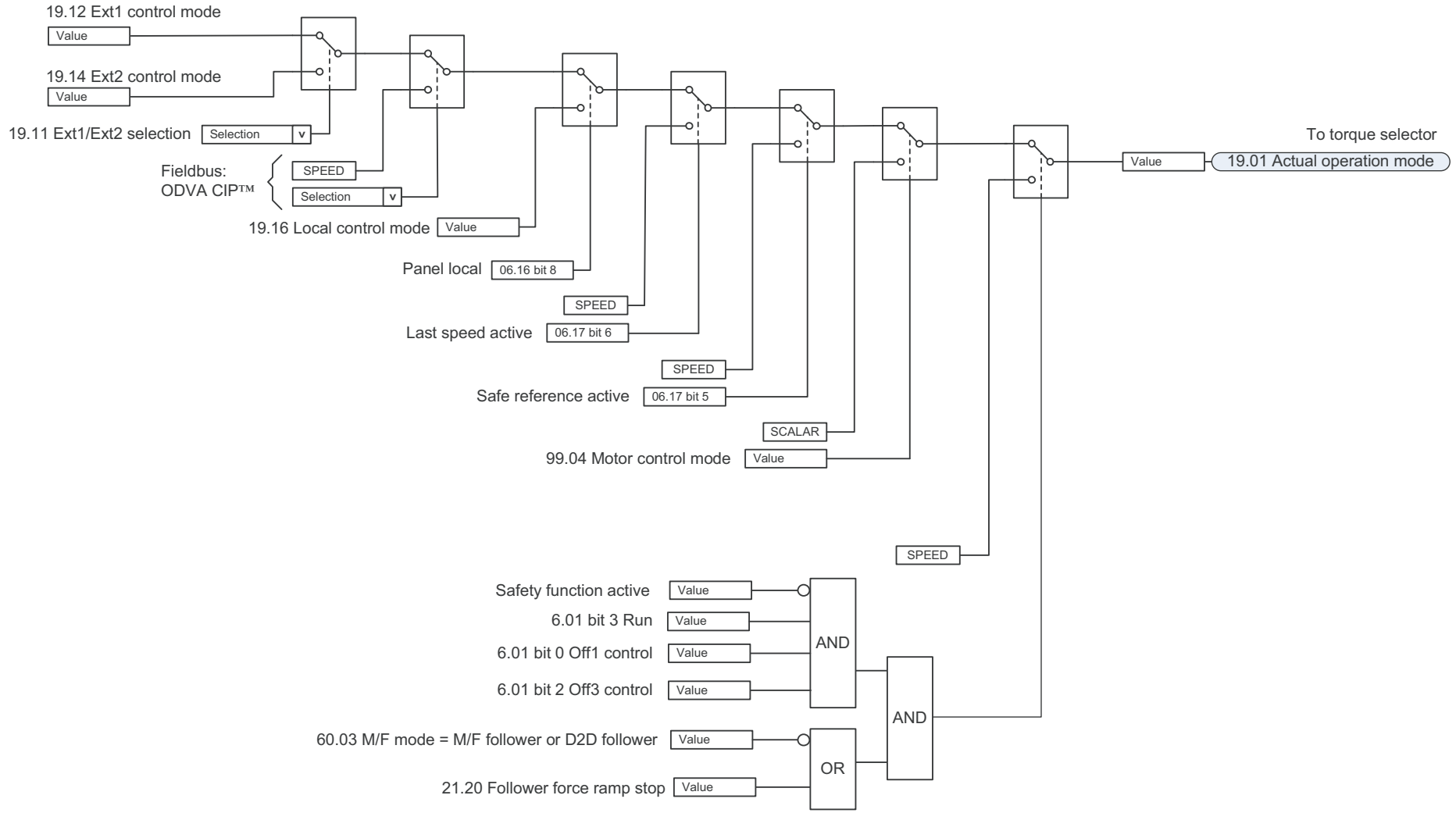
Speed controller



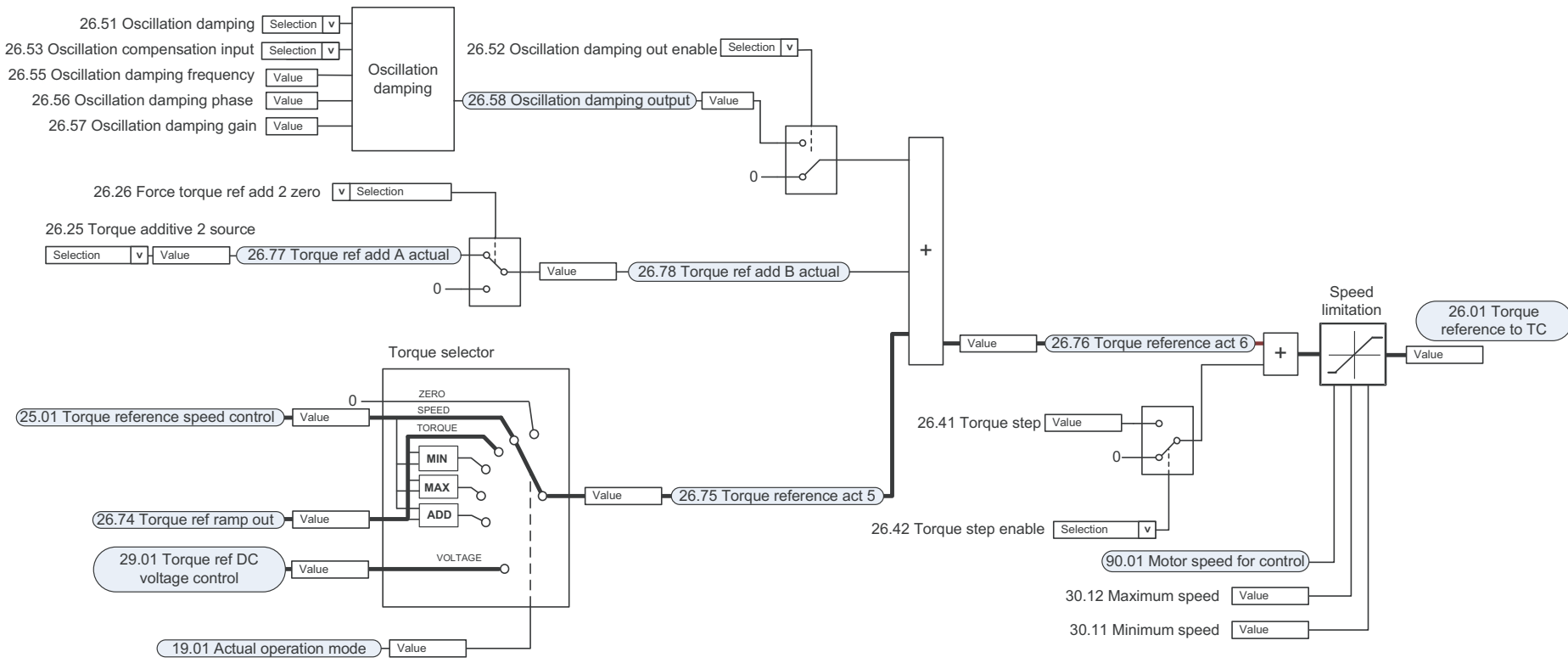
Torque reference source selection and modification



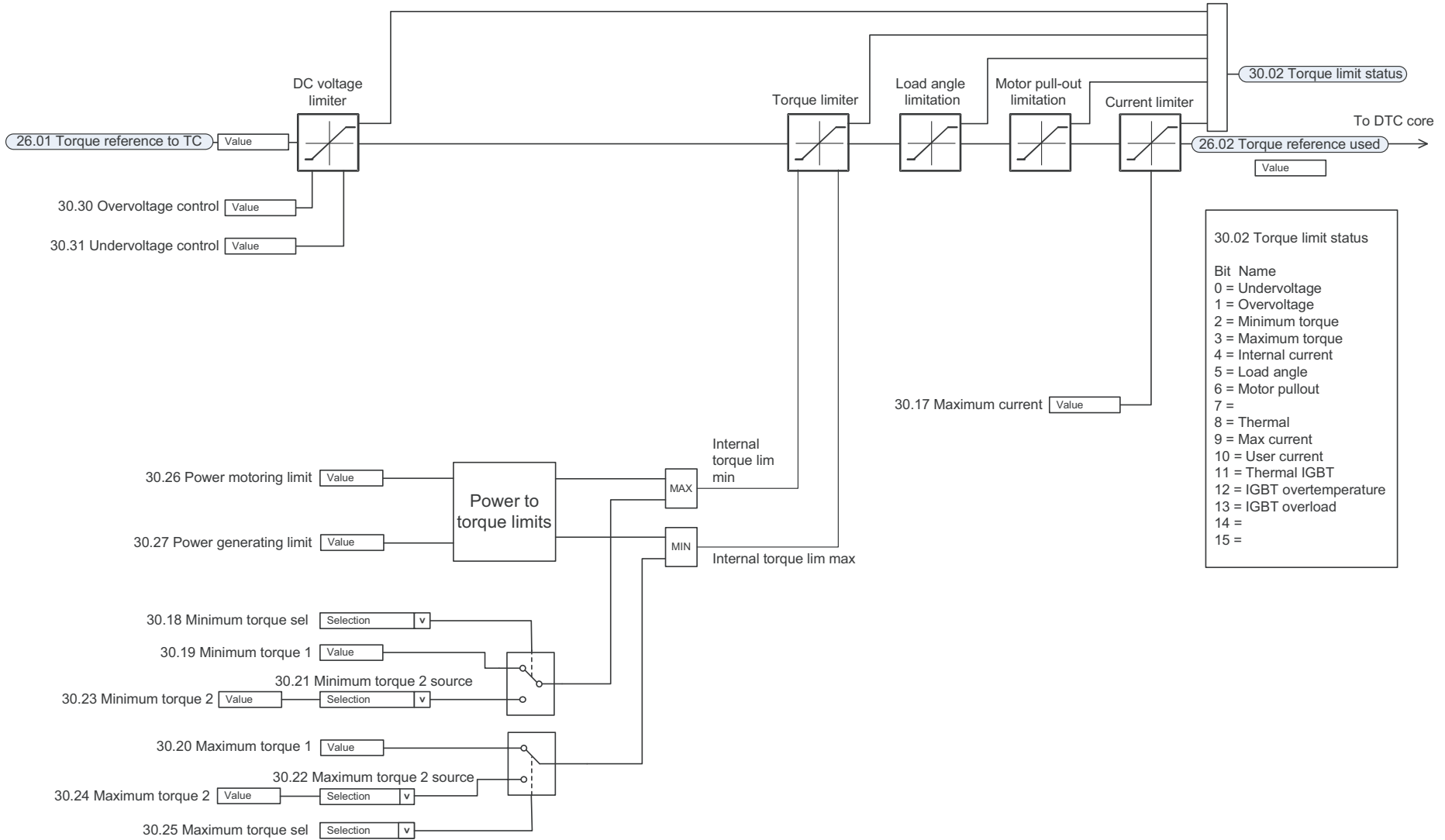
Operating mode selection

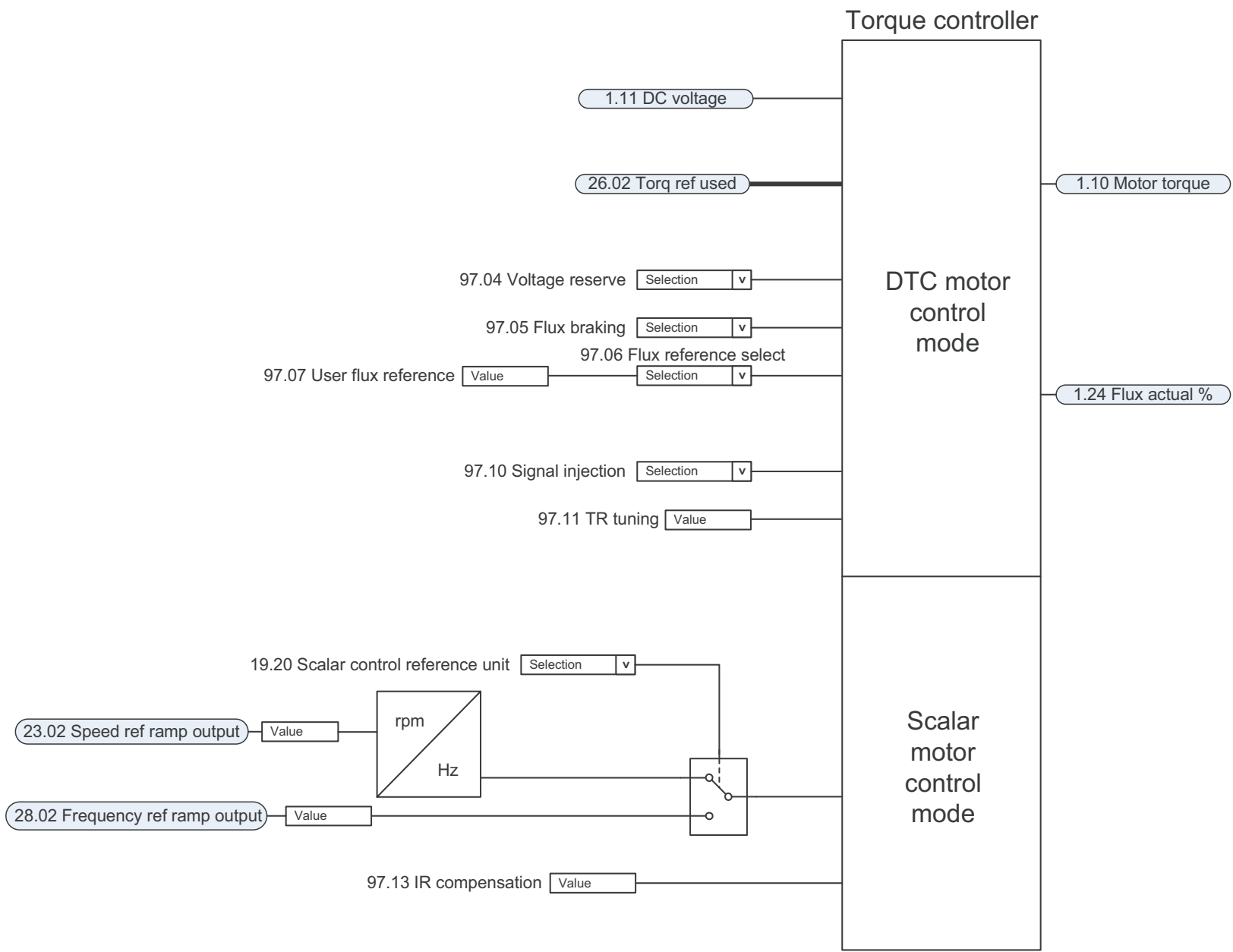


Reference selection for torque controller



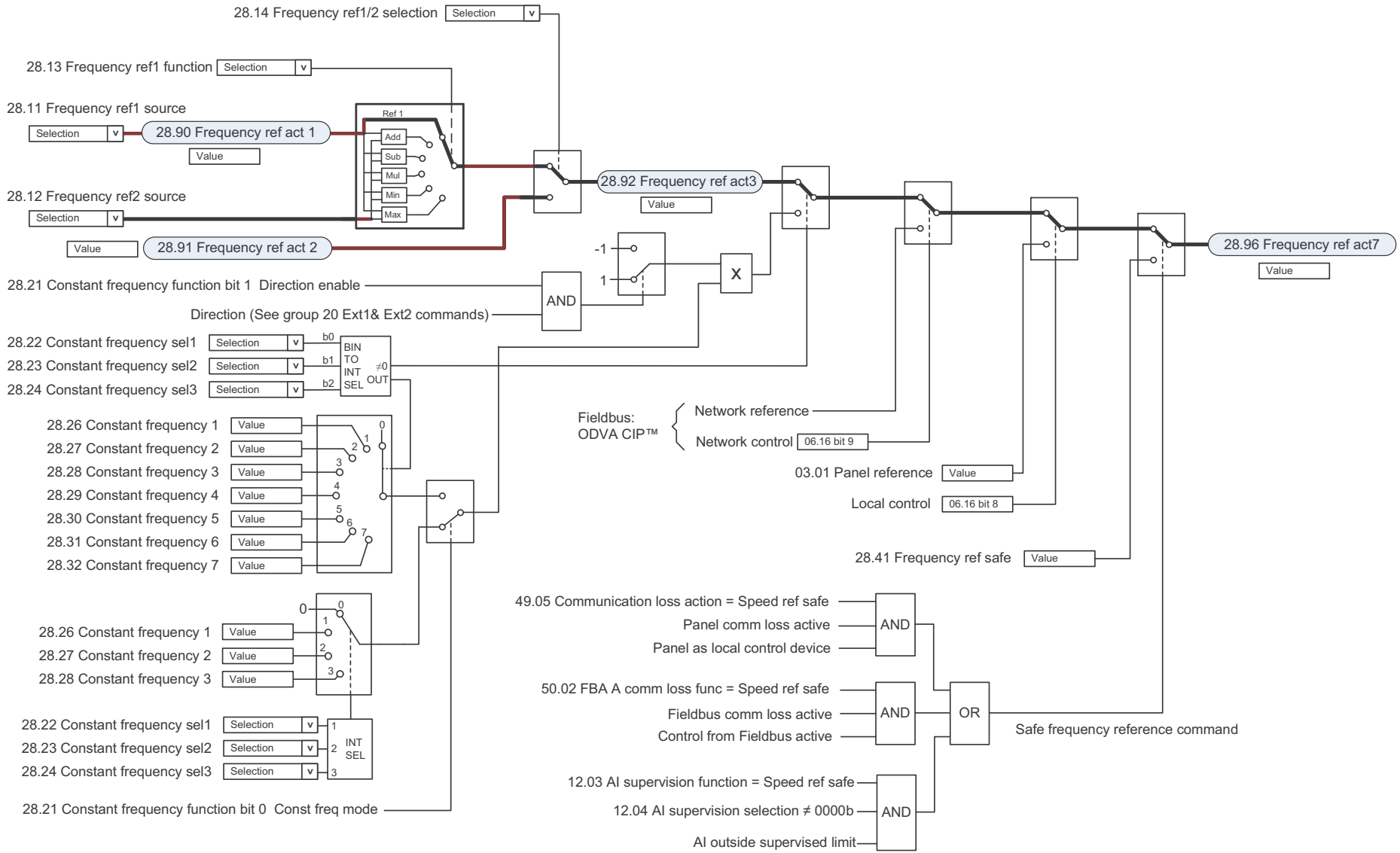
Torque limitation



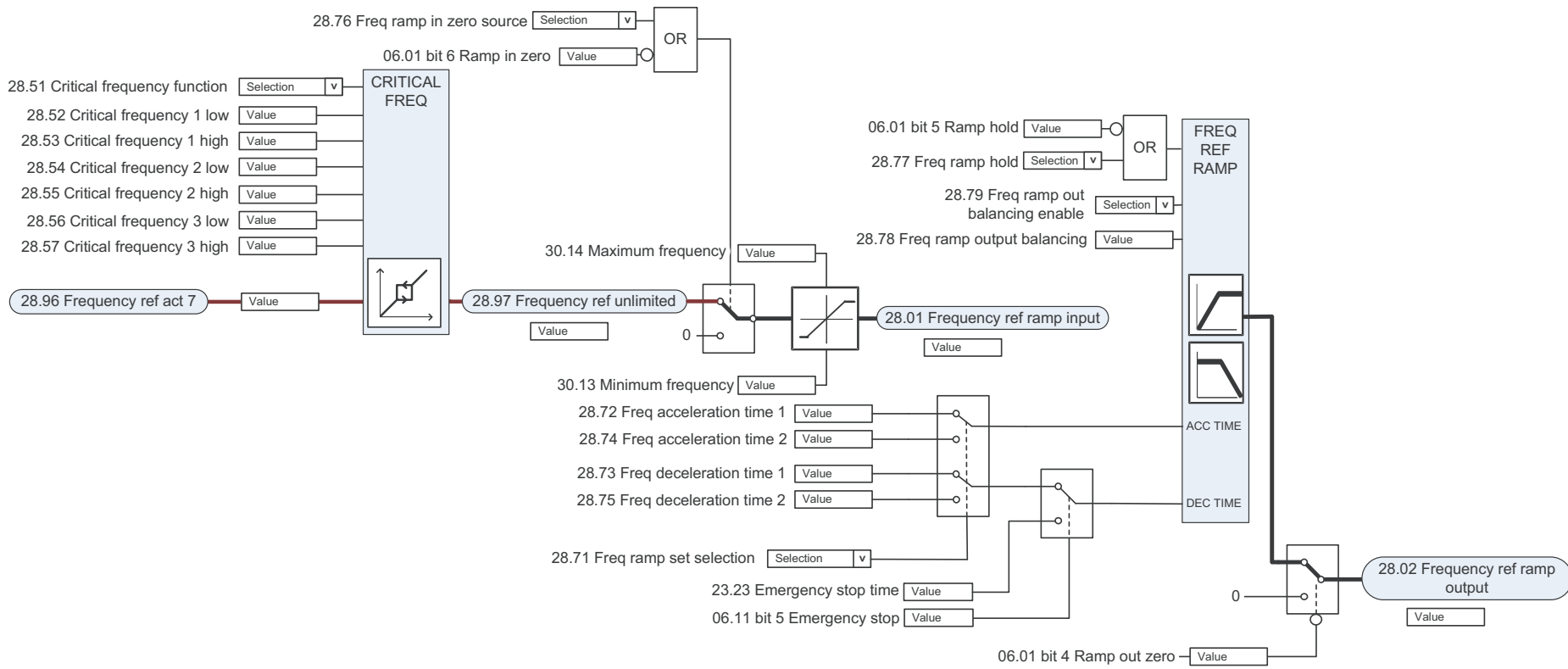


Torque controller

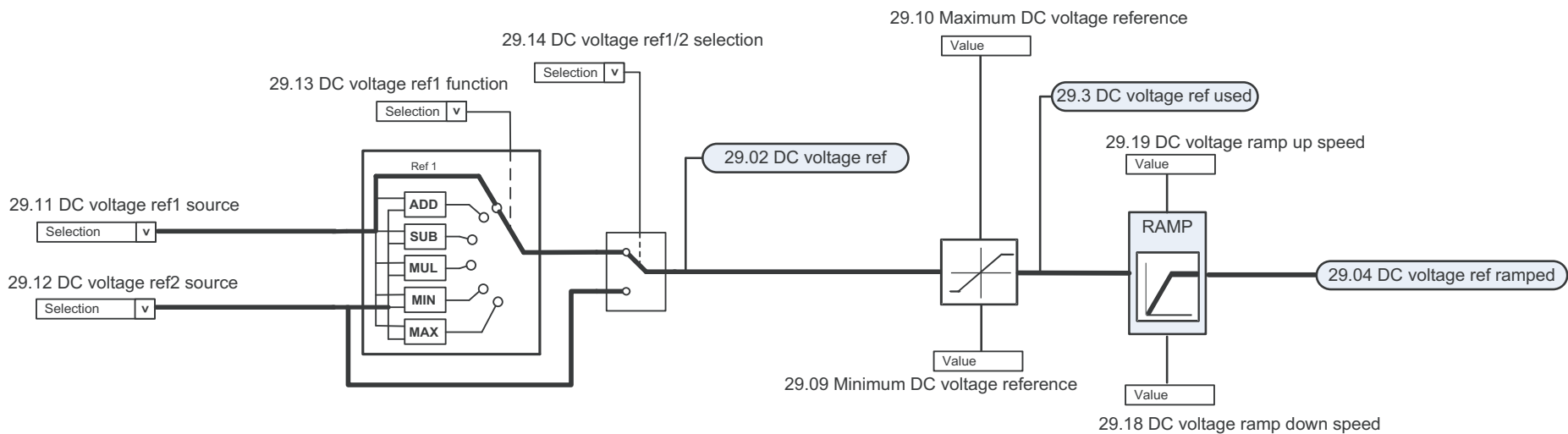
Frequency reference selection



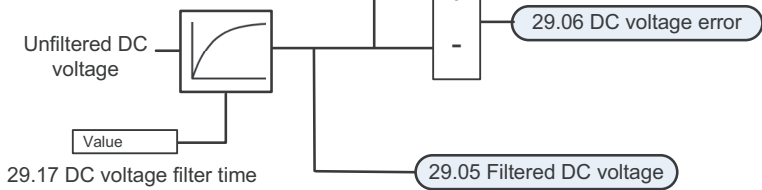
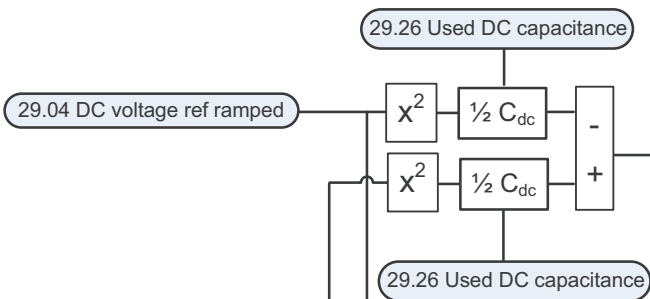
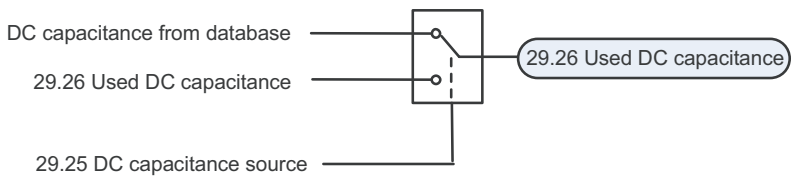
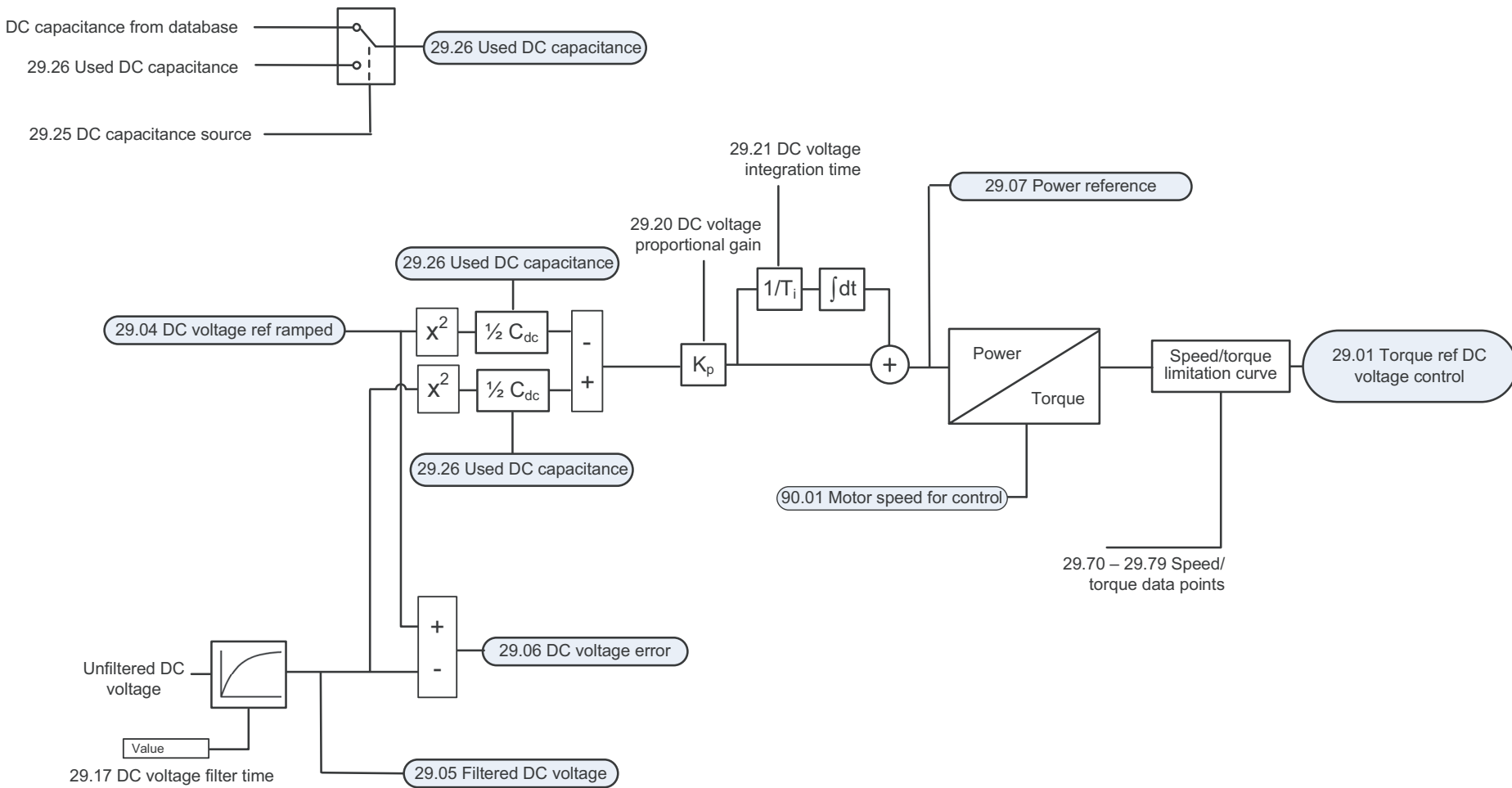
Frequency reference modification



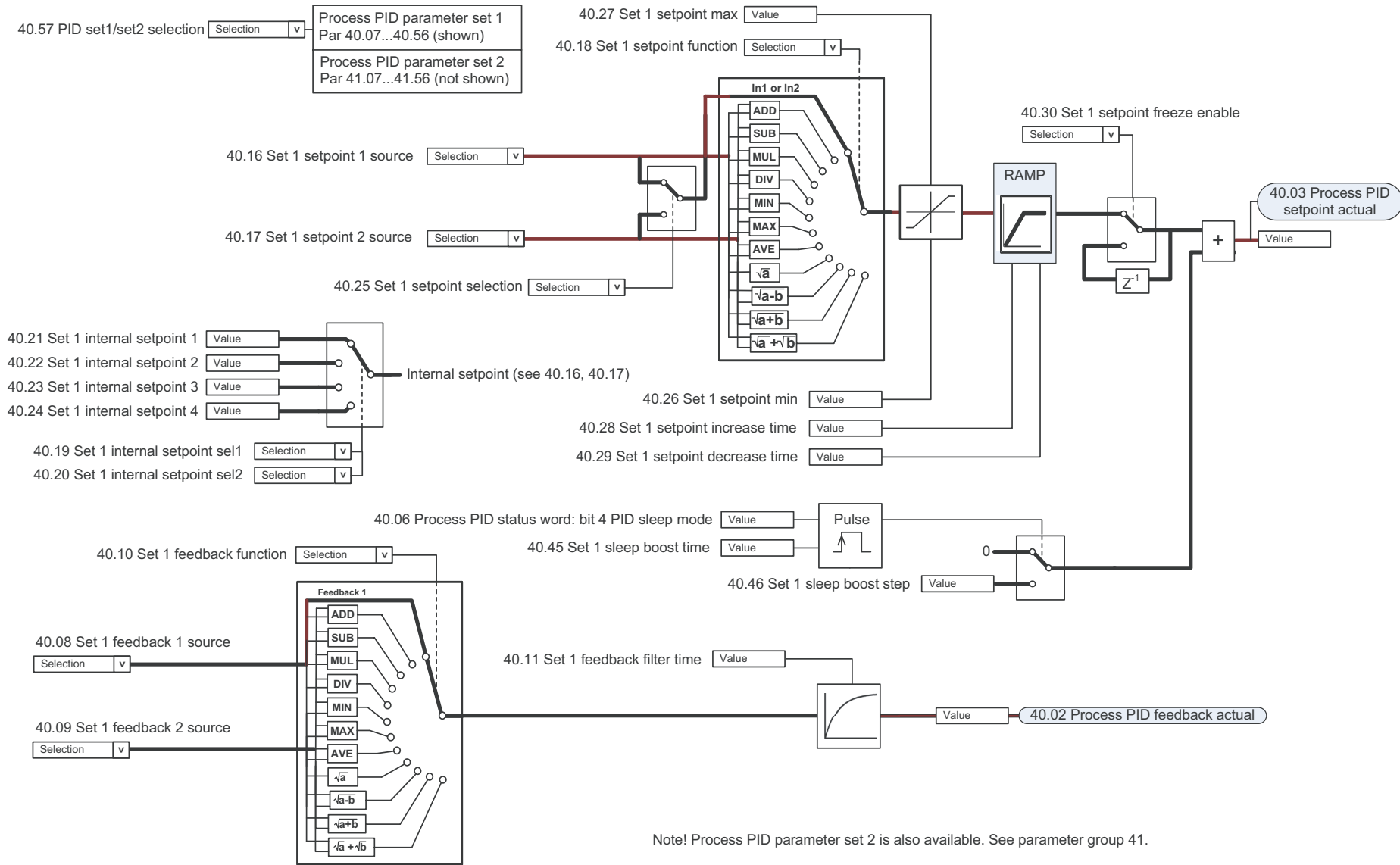
DC voltage reference selection



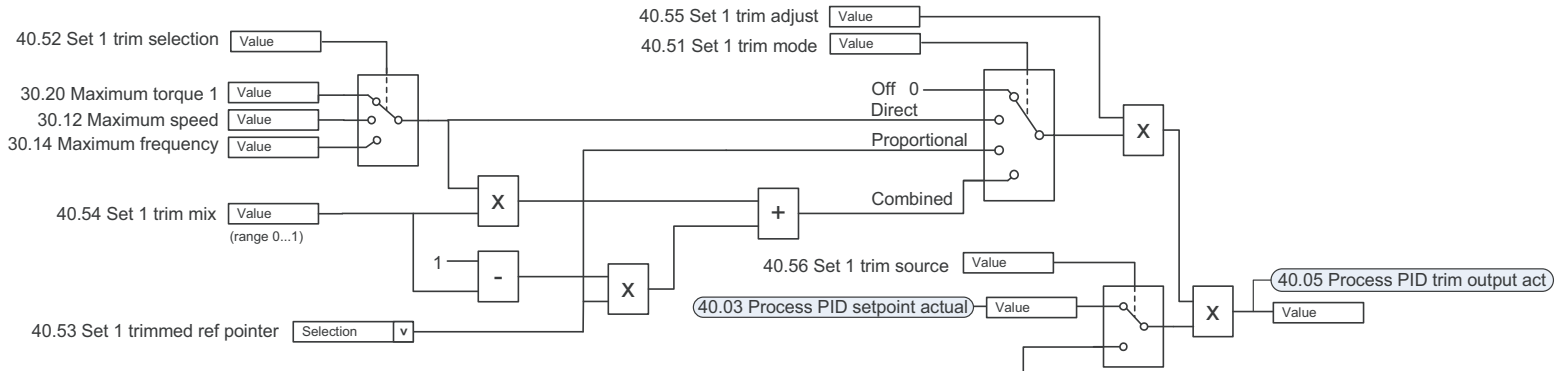
DC voltage reference modification



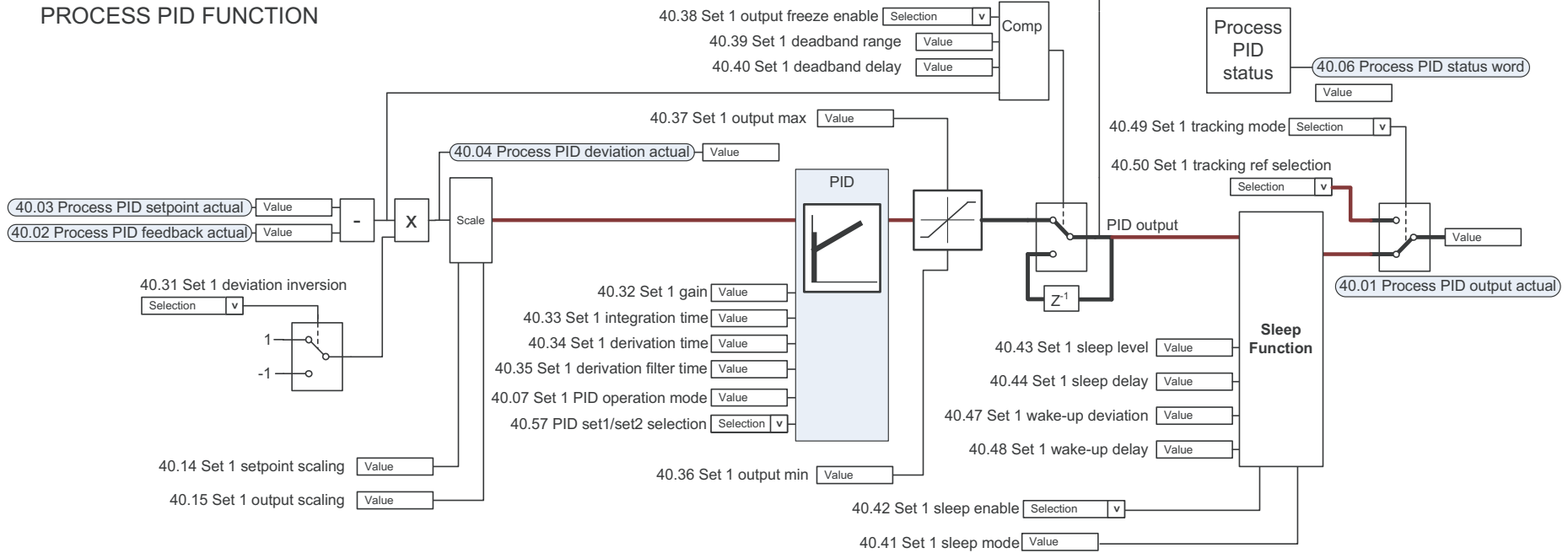
Process PID setpoint and feedback source selection



TRIM FUNCTION

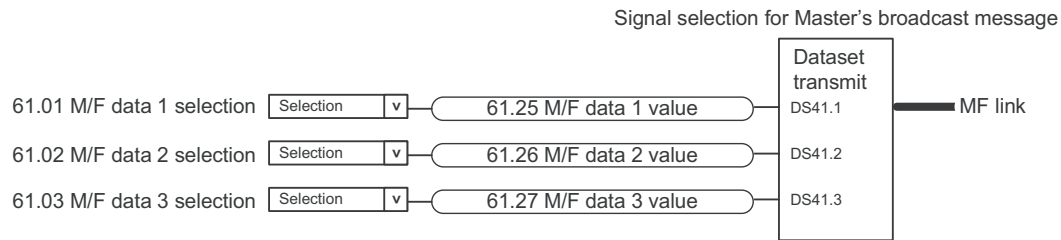
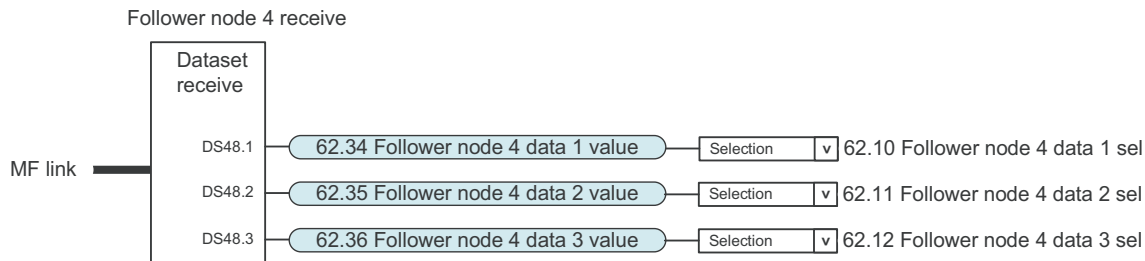
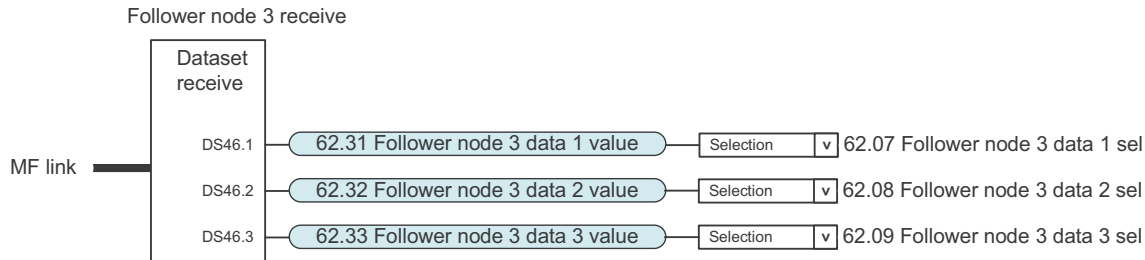
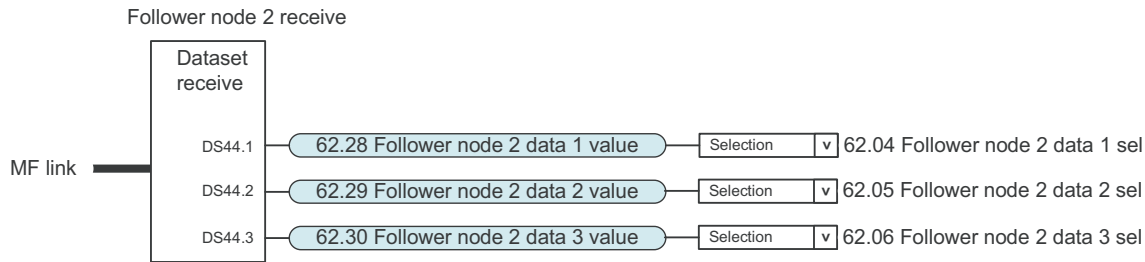
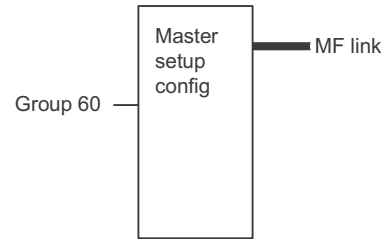


PROCESS PID FUNCTION



Note! Process PID parameter set 2 is also available. See parameter group 41.

Master/Follower communication I (Master)



Master/Follower communication II (Follower)

